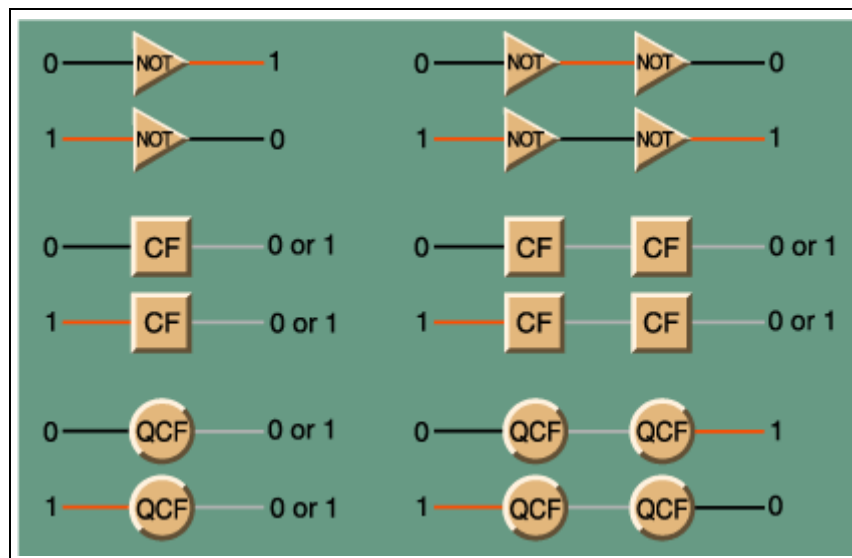


# Mathematics/Physics Seminar

Wednesday 4/11/2007, 4:30 pm  
Willet Science Center 101

**Curtis D. Herink**

Department of Mathematics  
Mercer University



## Quantum Computing

What is a quantum computer?  
How is it different from other computers?

*Please join us for light refreshments at 4:15pm outside WSC 109.*